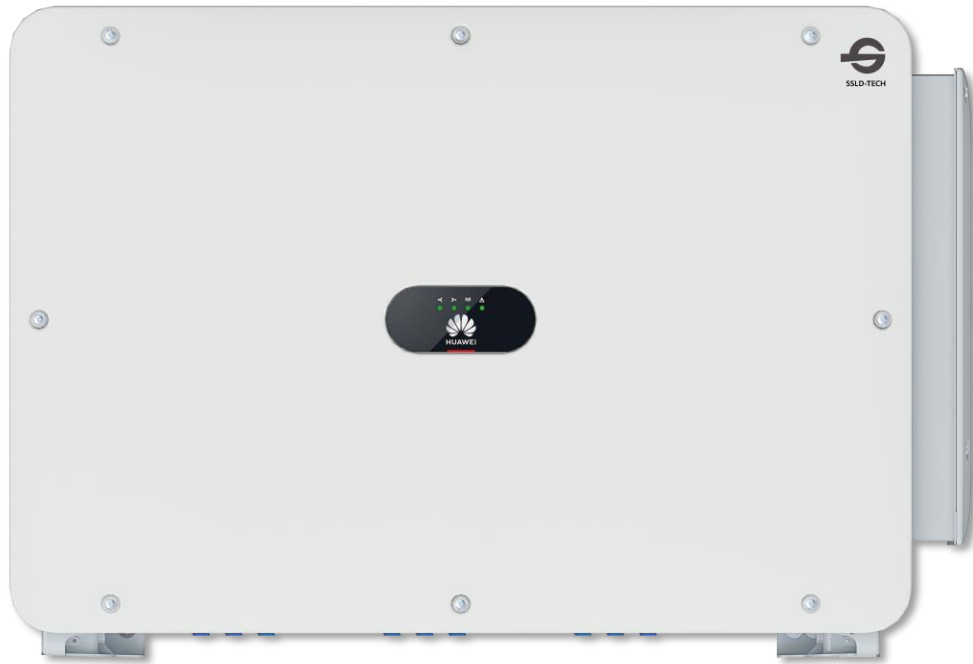


SUN2000-215KTL-H0 Smart PV Controller



9
MPP Trackers



Max. Efficiency
≥99.0%



Smart String-level
Disconnection



Smart I-V Curve
Diagnosis Supported



MBUS
Supported



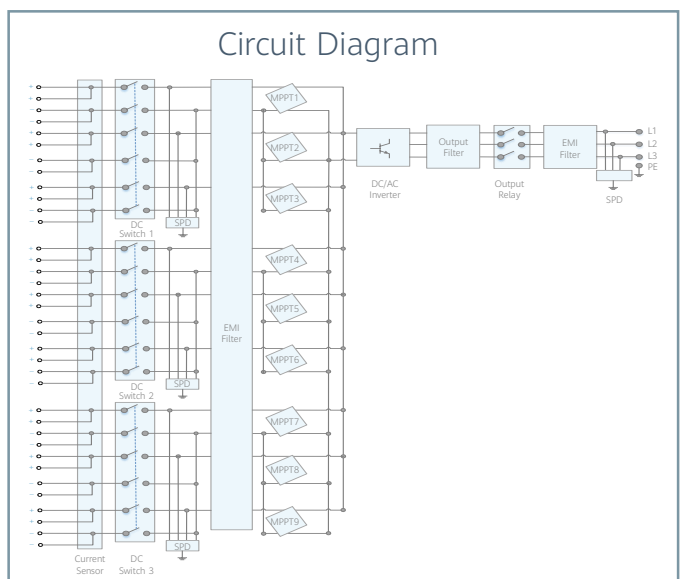
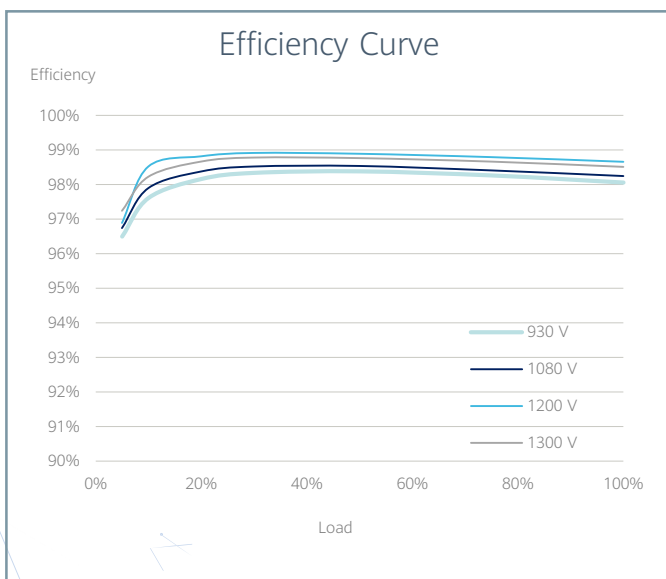
Fuse Free
Design



Surge Arresters for
DC & AC



IP66
Protection



SUN2000-215KTL-H0
Technical Specifications

Efficiency		
Max. Efficiency		99.00%
European Efficiency		98.80%
Input		
Max. Input Voltage		1,500 V
Max. Current per MPPT		30 A
Max. Short Circuit Current per MPPT		50 A
Start Voltage		550 V
MPPT Operating Voltage Range		500 V ~ 1,500 V
Nominal Input Voltage		1,080 V
Number of Inputs		18
Number of MPP Trackers		9
Output		
Nominal AC Active Power		200,000 W
Max. AC Apparent Power		215,000 VA
Max. AC Active Power (cosφ=1)		215,000 W
Nominal Output Voltage		800 V, 3W + PE
Rated AC Grid Frequency		50 Hz / 60 Hz
Nominal Output Current		144.4 A
Max. Output Current		155.2 A
Adjustable Power Factor Range		0.8 LG ... 0.8 LD
Total Harmonic Distortion		THD _i < 1% (Rated)
Protection		
Smart String-level Disconnection (SSLD)		Yes
AC Overcurrent Protection		Yes
DC Reverse-polarity Protection		Yes
PV-array String Fault Detection		Yes
DC Surge Arrester		Type II
AC Surge Arrester		Type II
DC Insulation Resistance Detection		Yes
Residual Current Detection Unit		Yes
Communication		
Display		LED Indicators, WLAN + APP
USB		Yes
MBUS		Yes
RS485		Yes
General		
Dimensions (W x H x D)		1,035 x 700 x 365 mm
Weight (with mounting plate)		≤ 86 kg
Operating Temperature Range		-25°C ~ 60°C
Cooling Method		Smart Air Cooling
Max. Operating Altitude without Derating		4,000 m
Relative Humidity		0 ~ 100% (Non-condensing)
DC Connector		MC4 EVO2
AC Connector		Support OT / DT Terminal
Protection Degree		IP66
Anti-corrosion Protection		C5-Medium
Topology		Transformerless
Standards Compliance		
IEC 62109-1/-2, IEC 62920, EN 50549-2, EN 50530, etc.		